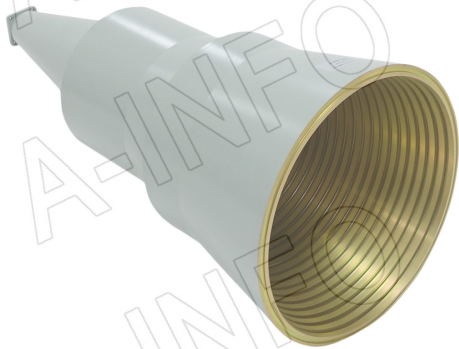


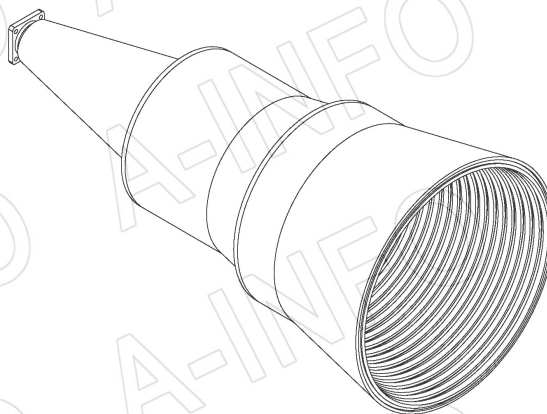
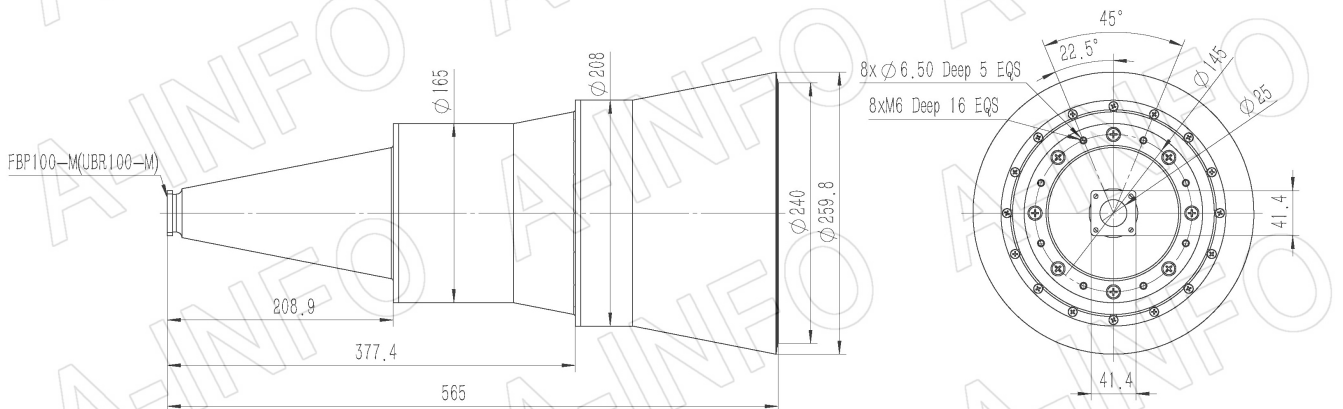
For reference only. See data sheet for the detailed specifications.

Technical Specification

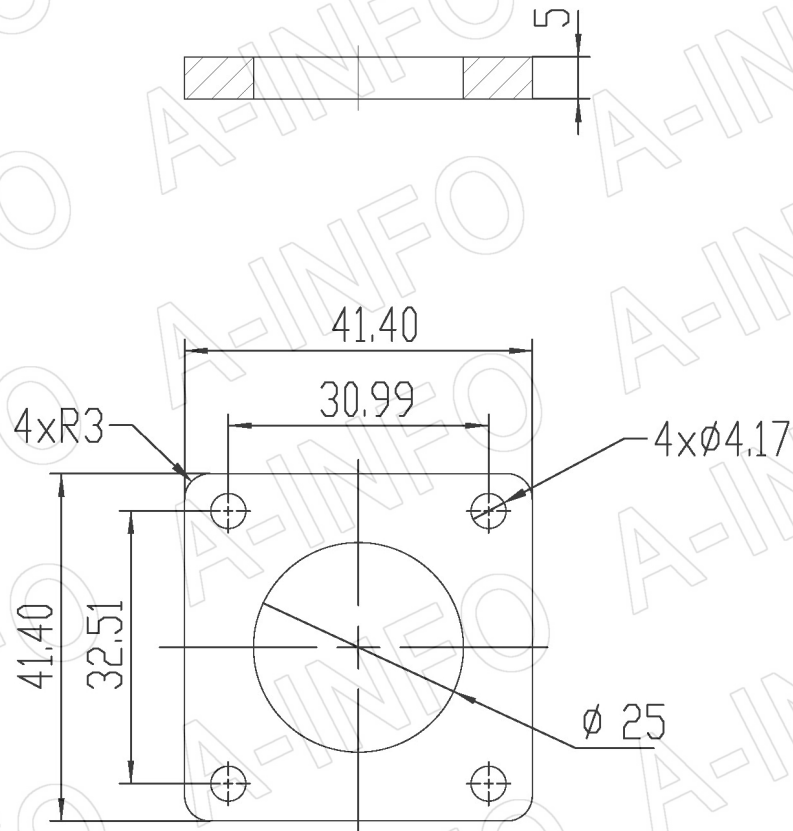


Frequency Range(GHz)	8.2 – 12.4
Circular WG Size	25mm / 0.98"
Gain(dBi)	25 Typ.
Polarization	Linear and Circular
3dB Beamwidth(deg)	E Plane: 10 Typ.
	H Plane: 10 Typ.
Cross Pol. Isolation(dB)	45 Typ.
VSWR	1.30:1 Typ.
Output	FBP100-M(UBR100-M)
Material	Al
Finish	Chemical Conversion Coating, Gray Paint
Size(mm)	259.8 x 259.8 x 565
Net Weight(Kg)	5.97 Around

Outline Drawing (Size: mm)



Flange Drawing (Size: mm)



FBP100-M

AINFO Inc.

Page 2 of 8

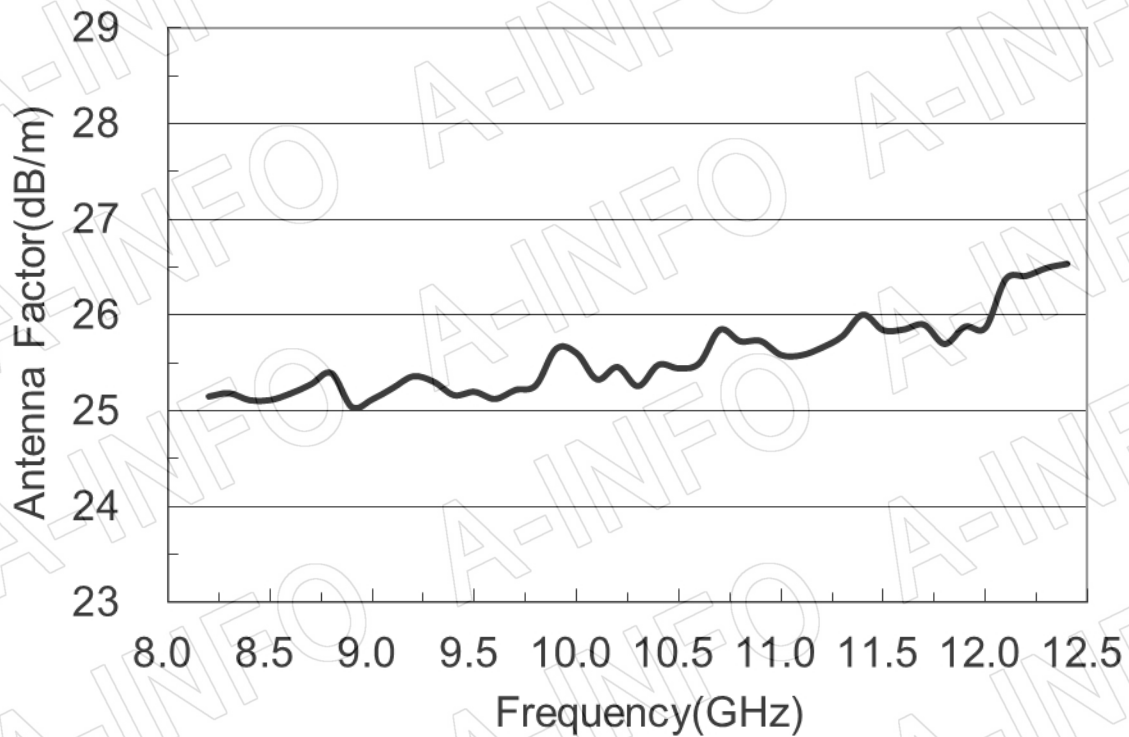
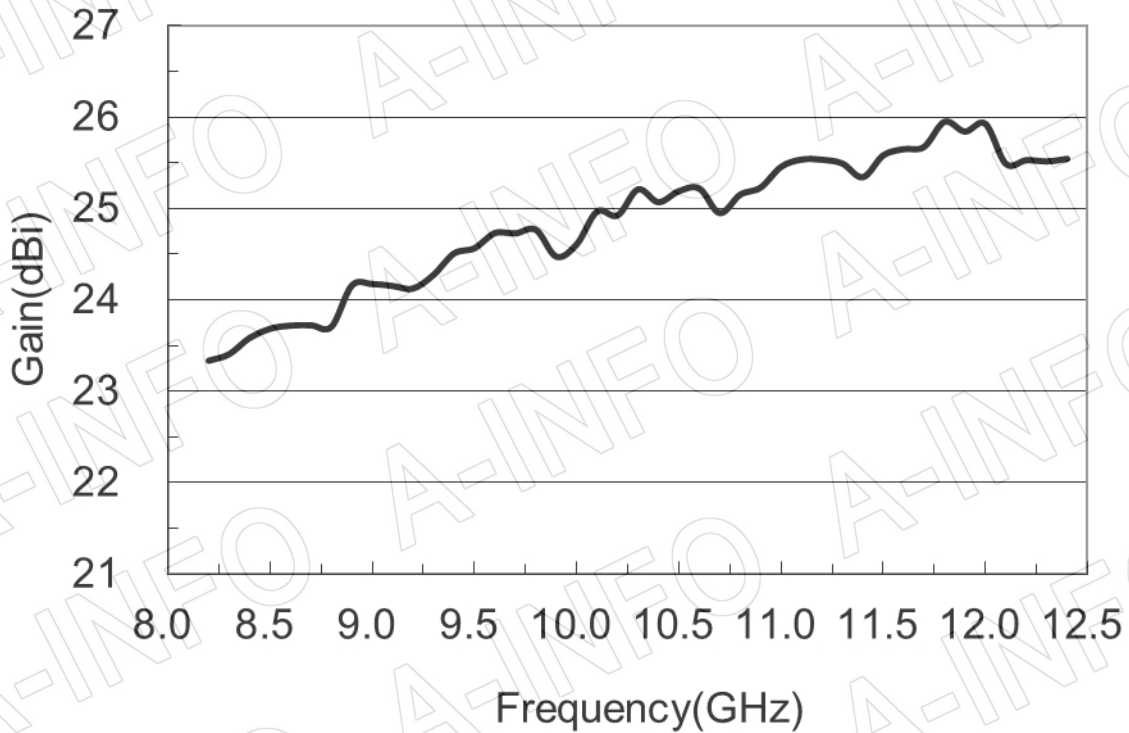
China(Beijing): Tel: (+86) 10-6266-7326,
China(Chengdu): Tel: (+86) 28-8519-2786,
USA: Tel: (+1) 949-639-9688,

(+86) 10-6266-7327 Fax: (+86) 10-6266-7379
(+86) 28-8519-3044 Fax: (+86) 28-8519-3068
(+1) 949-639-9608 Fax: (+1) 949-639-9670

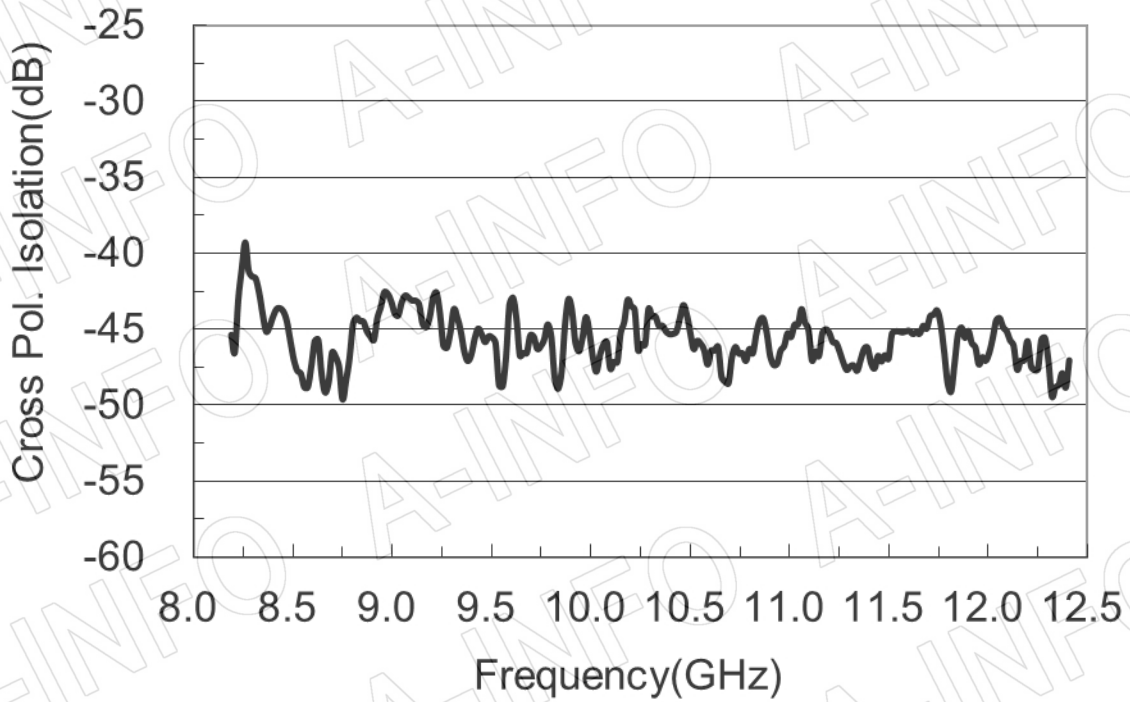
Website: www.ainfoinc.com
Email: sales@ainfoinc.com

Test Results (Including circular to rectangular transition)

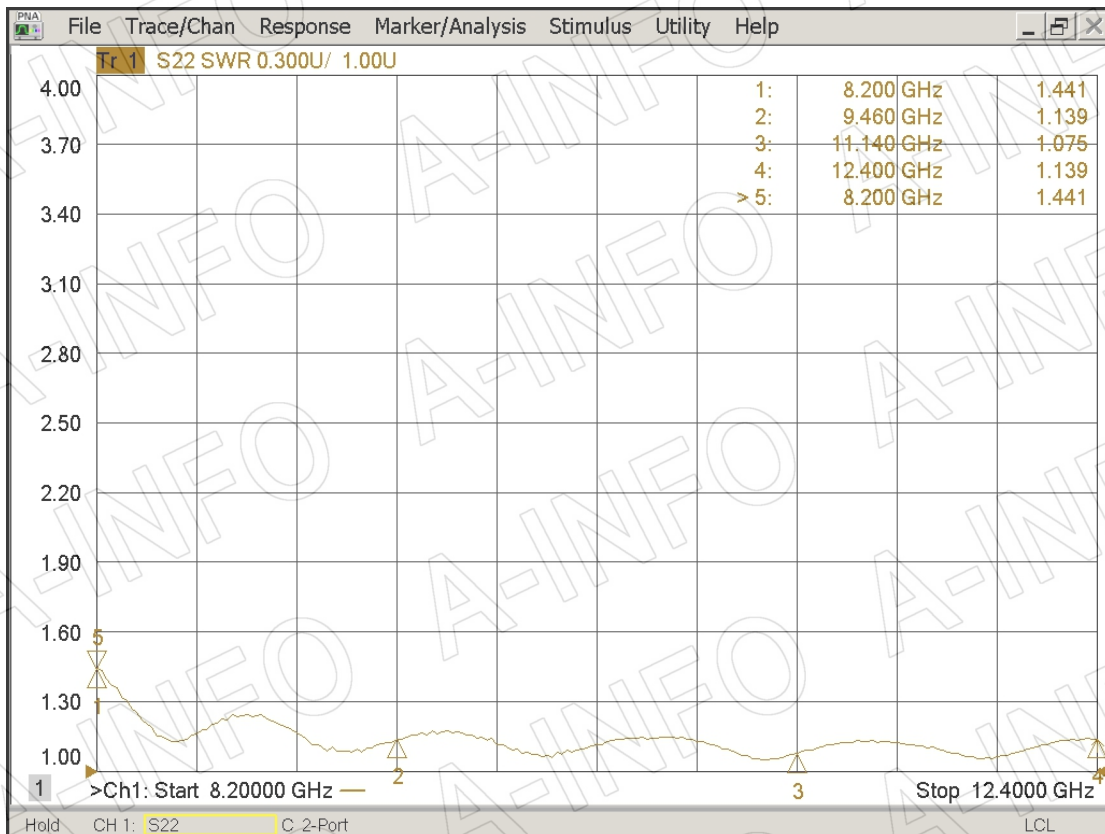
1. Gain & Antenna Factor



2. Cross Polarization Isolation



3. VSWR



4. Pattern

